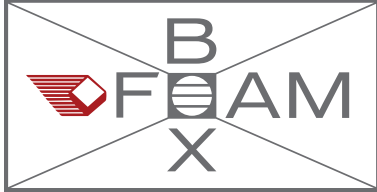




LINT TILE

FOAM BOX NICHES

Foam Box Niches Data Sheet DS-FOAMBOX-02



Data Sheets are subject to change without notice. For latest revision, visit our website at www.linttile.com

1. PRODUCT NAME

Lint Tile Foam Box Niche

2. DISTRIBUTOR

Lint Tile

111 Notch Lane

Wendel, PA 15691

Toll Free: 1-800-245-5564

Internet www.linttile.com

3. PRODUCT DESCRIPTION

Foam Box Niches are constructed of lightweight, high-density expanded polystyrene and a liquid waterproof membrane finish coat. Foam Box is 100% waterproof and ready-to-tile.

MATERIALS: Mortar mix for leveling, 1/2" x 1/2" notched trowel, polyurethane adhesive/sealant for adhering niche to studs and waterproofing joints. Modified thinset for setting tile or stone.

ADVANTAGES

- Light and durable.
- Factory installed, code approved waterproofing meets ANSI A118.10 requirements
- Ready to tile
- 1-Year Limited Warranty

USES

- Interior and Exterior
- Showers and tub surrounds.
- Residential and commercial

SUITABLE SUBSTRATES

- Walls: Cement Backer Board or equal
- Floors: Mud-bed or preformed shower pans

FOAM BOX MODELS -NICHES

FB-NIC-WCN - 15.75" x 23.75" x 4"

(recesses- 12.25" x 6.25" x 3.5", 12.25" x 12.25" x 3.5")

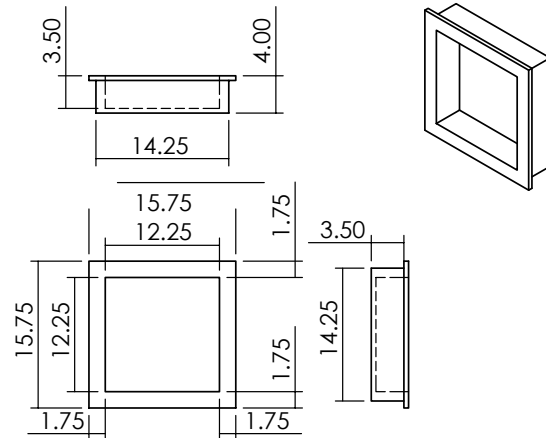
FB-NIC-MN - 15.75" x 23.75" x 4"

(recess- 12.25" x 20.5" x 3.5")

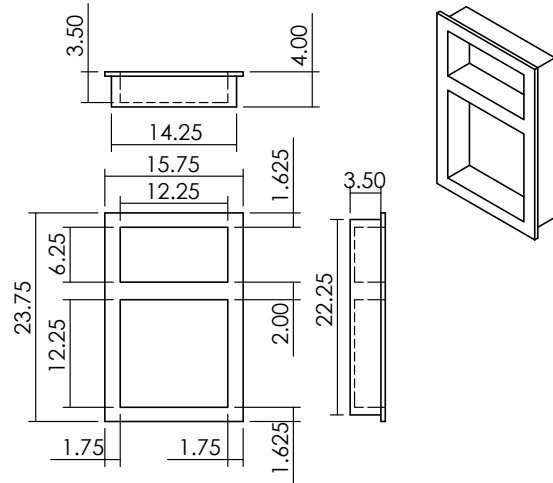
FB-NIC-SQN - 15.75" x 15.75" x 4"

(recess- 12.25" x 12.25" x 3.5")

#FB-NIC-SQN



#FB-NIC-WCN



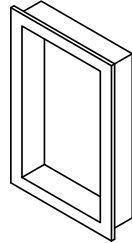
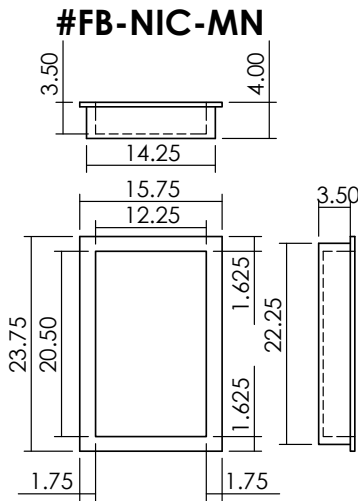
Flange Width on all Niches is .75"
Cavity Depth is 3.5"
All Dimensions are nominal.



LINT TILE

FOAM BOX NICHES

Foam Box Niches Data Sheet DS-FOAMBOX-02



SHELF LIFE

- Factory sealed boxes are guaranteed to be of first quality for five (5) years if stored at temperatures $>32^{\circ}\text{F}$ (0°C) and $<100^{\circ}\text{F}$ (43°C).

LIMITATIONS

- Mastics and silicones are never to be used.
- Don't expose to rubber solvents or ketones.
- Don't expose to sun or weather.
- Must be covered with ceramic tile or stone
- Surfaces must be structurally sound, stable and rigid enough to support ceramic/stone tile, thin brick and similar finishes.

CAUTIONS

Consult MSDS for safety information.

- If waterproof coating on the Foam Box is punctured during installation re-coat the punctured area and 2" (50 mm) around the area with two coats of a liquid waterproofing.

4. TECHNICAL DATA

Waterproofing membrane meets ANSI A118.10

Assembly meets IAPMO-PS-46

5. INSTALLATION

Preparatory Work (without wall board)

- Shower should be waterproofed in accordance with Tile Council of North America (TCNA) guidelines and all other applicable local codes before installing seat.
- Ensure that walls are square and plumb for proper fit.
- Area where niche is to be installed must be level. Test fit niche to ensure proper fit.
- Adjust as necessary.

INSTALLATION

One Substrate Layer

Determine desired height of niche and draw level line between studs on outside of substrate layer. Place niche with the bottom of flange centered on the level line and trace along exterior flange of niche. Cut along line and remove substrate layer. Install niche to cross bracing and studs using a polyurethane adhesive/sealant. Silicone should never be used. Treat exterior joint with polyurethane sealant to ensure waterproof integrity. Install tile using a modified thinset mortar.

Two Substrate Layer

Determine desired height of niche and draw level line between studs on outside substrate layer. Place niche with the bottom of the box centered on the level line and trace outline of the back of niche box. Cut through both layers along line and remove layers. Place niche into opening and trace exterior flanges. Remove niche and set aside. Cut through outside layer only and remove "picture frame" outline. Install niche using a polyurethane adhesive/sealant. Treat exterior joint with polyurethane sealant to ensure waterproof integrity.

TILE INSTALLATION DETAIL

- Install tile using a modified thinset and in accordance with the Tile Council of North America (TCNA) guidelines.

6. AVAILABILITY

Lint Tile Tools

For Distributor information call:

Toll Free: 1-800-245-5564

7. WARRANTY

Contact Lint Tile

8. MAINTENANCE

Foam Box requires no maintenance. Drain grate should be removed periodically to remove any debris from trap.

9. TECHNICAL SERVICES

Technical Assistance

Information is available by calling Lint Tile

Monday thru Friday from 8:00 AM to 5:00 PM EST.

Technical and Safety Literature

Please visit our website at www.linttile.com.

10. FILING SYSTEM

Information available at www.linttile.com.

DS-FOAMBOX-02

